

## ASLM Series

- Feature: High Temperature 、 Miniaturization (M size)
- Endurance 2000hrs at 105°C
- Rate voltage: 35 Vdc.



Specifications			
Item	Conditions	Characteristics	
Category		-40~ +105°C	
Temperature Range			
Rated Voltage Range		35 V.DC,	
Capacitance Tolerance	at 20°C, 120Hz	±20 %	
Leakage Current	at 20°C after 2 minutes	$I \leq 0.3CV$ (35 V.DC) I : Leakage Current(μA), C : Rated Capacitance(μF), V : Rated Voltage(V)	
Surge Voltage	15°C to 35°C	Rated voltage × 1.15 (35 V.DC)	
Dissipation Factor (tanδ)	at 20°C , 120Hz	0.10 max.	
Endurance	105°C, rated voltage applied,2000 hrs	Appearance	No significant damage
		Capacitance Change	±20% of initial value
		Dissipation Factor	≤ 200% of the initial specified value
		Leakage Current	(35 V.DC) ≤ within the initial limit
Damp Heat, Steady State	85°C, 85 RH, no load, 1000 hrs	Appearance	No significant damage
		Capacitance Change	(35 V.DC ) +60%, -20% of the initial value
		Dissipation Factor	≤ 125% of the initial specified value
		Leakage Current	(35 V.DC) ≤ 300% of the initial specified value
Surge Voltage	The capacitors shall be subjected to 1000 cycles each consisting of charge with the surge voltages, 125% rated voltage, at 15°C to 35°C for 30 seconds through a protective resistor(R=1KΩ)and discharge for 5min 30 seconds.	Appearance	No significant damage
		Capacitance Change	±20% of the initial value
		Dissipation Factor	within the initial specified value
		Leakage Current	within the initial specified value
Solderability	Pb-free solder Around 25% rosin melted ethanol or isopropylalcohol Temperature : 245 ± 5 °C Immersing time : 2 ± 0.5 s	More than 95% of outer terminal surface to be covered	
Resistance to Solvents	Solvent : isopropylalcohol Immersing time : 30 ± 5 s Room temperature	No significant damage and marking readable	
Shelf life	Test temperature:105±2°C Test time:500hrs.	Appearance	No significant damage
		Capacitance Change	±20% of the initial value
		Dissipation Factor	within the initial specified value
		Leakage Current	within the initial specified value

## ASLM Series

### Standard Ratings

WV (VDC)	Case size (mm)			Specifications				Ripple Current*1 (mA r.m.s) @100kHz	Part No.
	L	W	H	Cap (μF)@120Hz	tanδ Max. @120Hz	ESR Max.*2 (mΩ) @100kHz	Leakage Current Max. (μA)		
35	7.3	6.0	1.9	100	0.1	50	1050	3200	ASLM350S101E50

\*1:Ripple Current:(100kHz / +45°C)

\*2:ESR Max (100kHz / +20°C)

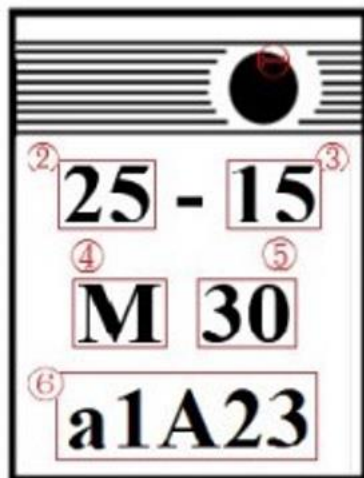
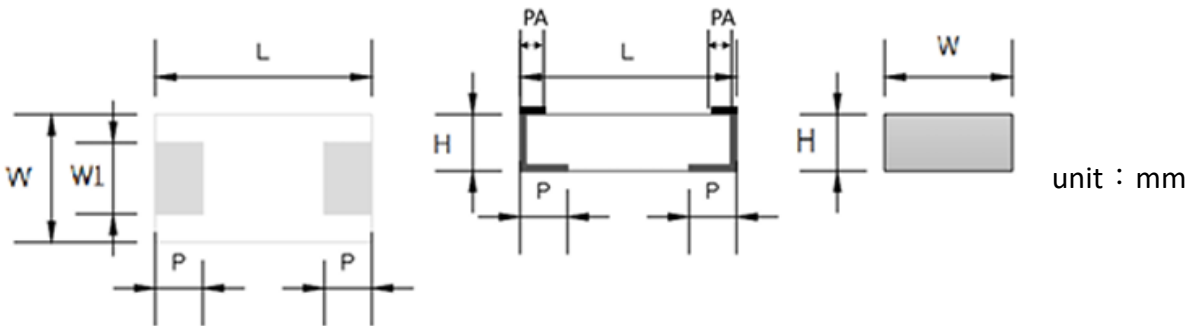
Temperature Compensation Multipliers for Ripple Current				
	≤ 45°C	45°C < T ≤ 85°C	85°C < T ≤ 105°C	105°C < T ≤ 125°C
35 V.DC	1.0	0.8	0.5	0.25

### PRODUCT IDENTIFICATION

<u>ASLM</u>	<u>350</u>	<u>S</u>	<u>101</u>	<u>E50</u>
Product	Rated Voltage	Case Height	Capacitance	ESR
	350: 35V	S:1.9mm	101=100μF	E50: 50mΩ

### DIMENSIONS AND MARKING

Case size	L	W	W1	H	P	PA
M	7.3±0.2	6.0±0.2	4.45±0.2	1.9±0.1	1.6±0.2	≤0.3



- ① : Polarity Bar (+)
- ② : Rated Voltage
- ③ : Rated Capacity
- ④ : Year (Q for 2025、R for 2026、S for 2027、T for 2028)
- ⑤ : Week
- ⑥ : Serial Code